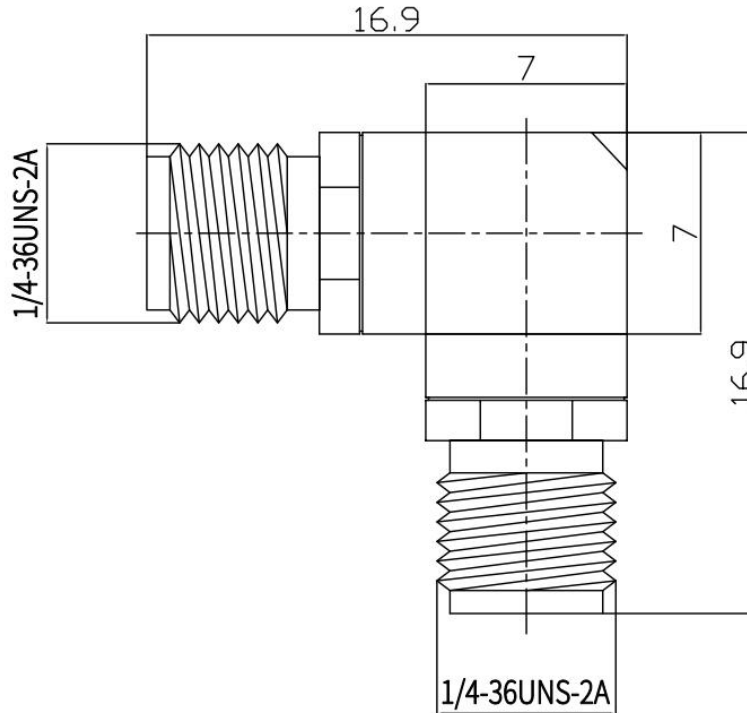


## 产品型号 Model: 3.5-KWKG

频率 Frequency: DC-26.5GHz



注 Note: 尺寸 Dimensions (mm)

产品参数 Product parameters		
<b>1.电气 Electrical</b>		
1.1	阻抗 Impedance	50Ω
1.2	频率范围 Frequency range	DC-26.5GHz
1.3	驻波 VSWR	≤1.25
1.4	介质耐压 Dielectric withstanding voltage	500V rms
1.5	内导体接触电阻 Internal conductor contact resistance	≤3mΩ
1.6	外导体接触电阻 External conductor contact resistance	≤2mΩ
1.7	绝缘电阻 Insulation resistance	≥1000MΩ
<b>2.环境与机械 Environment and Machinery</b>		
2.1	温度范围 Temperature range	-45°~+165°
2.2	耐久性 Durability	500cycles
<b>3.材料和镀层 Material and Plating</b>		
3.1	内导体 Inner conductor	铍铜镀金 Beryllium copper gold plating
3.2	外导体 Outer conductor	不锈钢钝化 Stainless steel passivation
3.3	绝缘体 Insulator	聚醚酰亚胺 PEI